

OM[1:0] : Bus Size

00 : Nand boot

01 : Halfword (16-bit)

10 : Word (32-bit)

11 : Test Mode

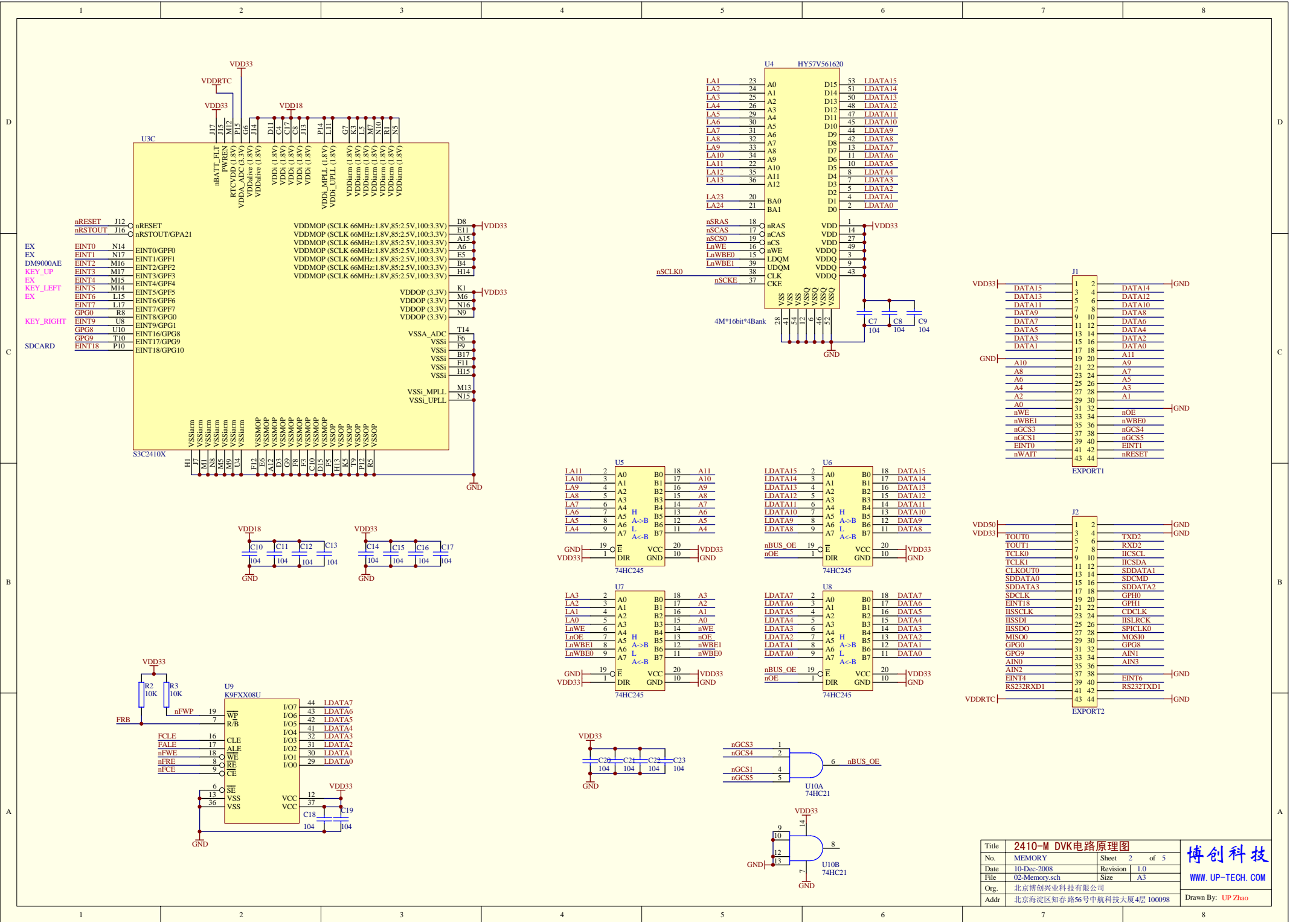
USB DEVICE
KEY_DOWN

- LA0 B14 ADDR0/GPA0
- LA1 D14 ADDR1
- LA2 A14 ADDR2
- LA3 C13 ADDR3
- LA4 B13 ADDR4
- LA5 D13 ADDR5
- LA6 A13 ADDR6
- LA7 C12 ADDR7
- LA8 B12 ADDR8
- LA9 G12 ADDR9
- LA10 D12 ADDR10
- LA11 E12 ADDR11
- LA12 B11 ADDR12
- LA13 A11 ADDR13
- LA14 C11 ADDR14
- LA15 G11 ADDR15
- LA16 A10 ADDR16/GPA1
- LA17 B10 ADDR17/GPA2
- LA18 E10 ADDR18/GPA3
- LA19 D10 ADDR19/GPA4
- LA20 F10 ADDR20/GPA5
- LA21 A9 ADDR21/GPA6
- LA22 D9 ADDR22/GPA7
- LA23 E9 ADDR23/GPA8
- LA24 B9 ADDR24/GPA9
- LA25 C9 ADDR25/GPA10
- LA26 E8 ADDR26/GPA11

- LnWBEO A17 nBE0:nWBE0:DQM0
- LnWBE1 B16 nBE1:nWBE1:DQM1
- LnWBE2 C15 nBE2:nWBE2:DQM2
- LnWBE3 A16 nBE3:nWBE3:DQM3
- nSCS0 F16 nSCS0:nGCS6
- nSCS1 C14 nSCS1:nGCS7
- nSRAS B15 nSRAS
- nSCKE D16 SCKE
- nSCLK0 F13 SCLK0
- nSCLK1 F14 SCLK1
- FALE G14 ALE/GPA18
- FCLE H12 CLE/GPA17
- FRB R13 R.nB
- UI3 NCON
- nFCE G17 nFCE/GPA22
- nFRE G16 nFRE/GPA20
- nFWE G15 nFWE/GPA19
- SDCLK T6 SDCLK/GPE5
- SDCMD P6 SDCMD/GPE6
- SDDATA0 R6 SDDATA0/GPE7
- SDDATA1 N7 SDDATA1/GPE8
- SDDATA2 P7 SDDATA2/GPE9
- SDDATA3 R7 SDDATA3/GPE10

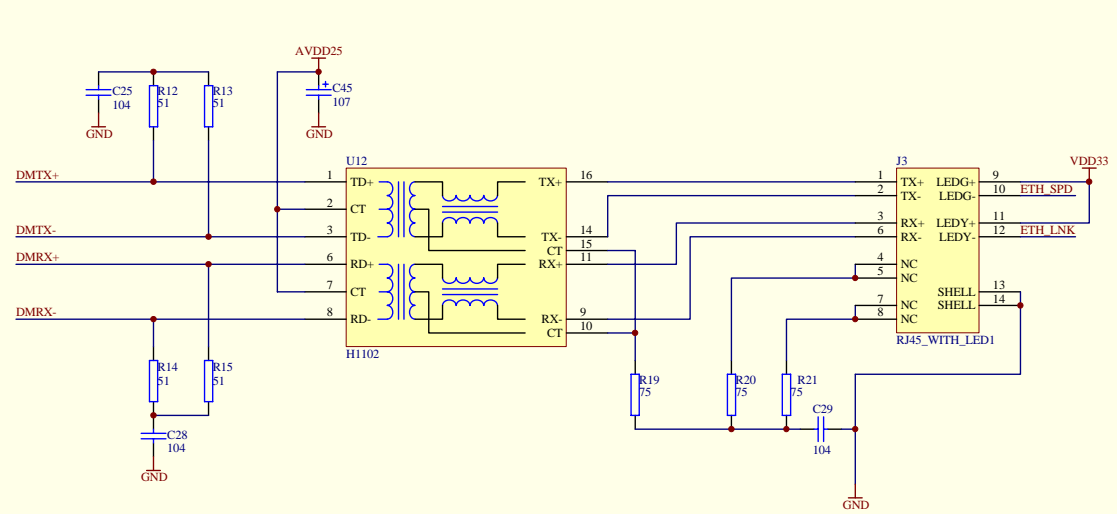
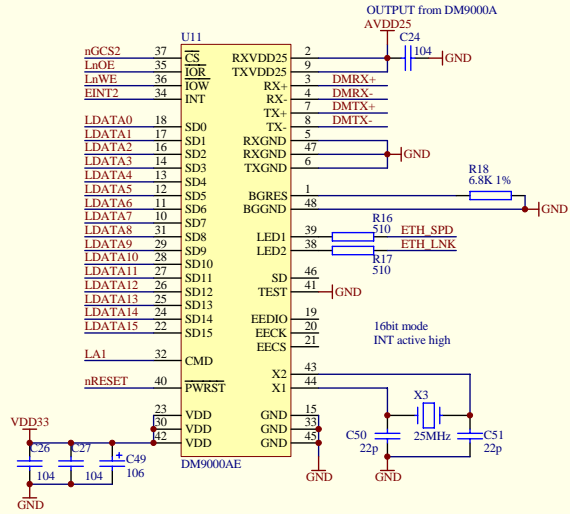
- EINT12 KEY_SEL
- GPC7
- GPC6
- GPC5
- VM.VDEN
- VF.VS
- VL.HS
- VCLK
- GPC0

Title	2410-M DVK电路原理图			
No.	CPU	Sheet	1 of 5	
Date	10-Dec-2008	Revision	1.0	
File	01-CPU.sch	Size	A3	
Org.	北京博创兴业科技有限公司			
Addr	北京海淀区知春路56号中航科技大厦4层 100098			
				Drawn By: UP Zhao



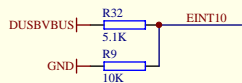
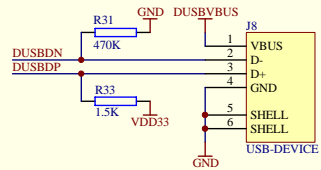
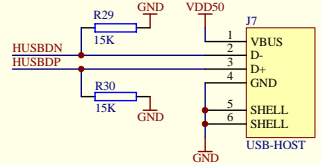
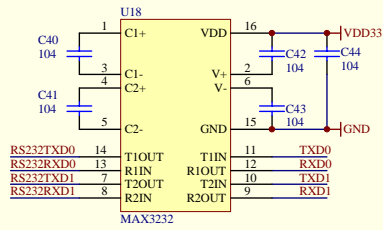
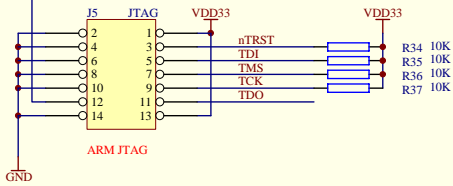
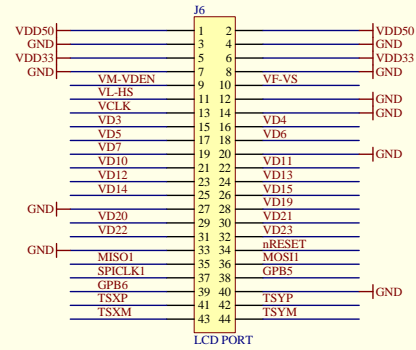
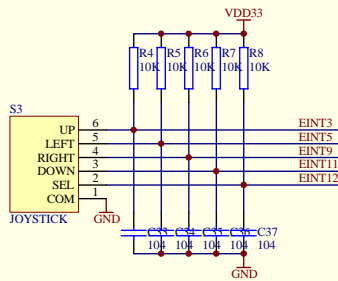
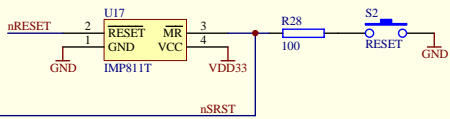
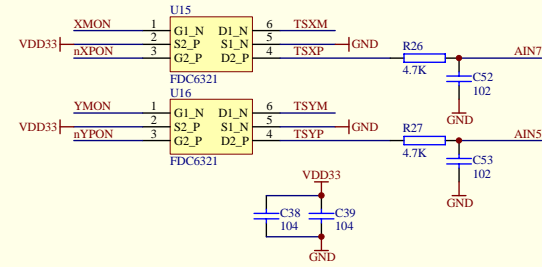
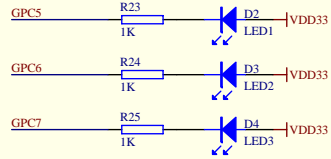
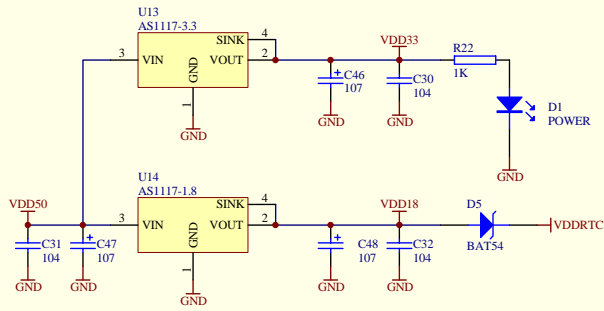
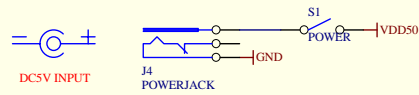
Title	2410-M DVK电路原理图		博创科技
No.	MEMORY	Sheet 2 of 5	
Date	10-Dec-2008	Revision 1.0	WWW.UP-TECH.COM
File	02-Memory.sch	Size A3	
Org.	北京博创兴业科技有限公司		
Addr	北京市海淀区知春路56号中航科技大厦4层 100098		
	Drawn By: UP Zhao		

BANK2 16bit bus
 0x1000 0000 INDEX Port
 0x1000 0002 DATA Port

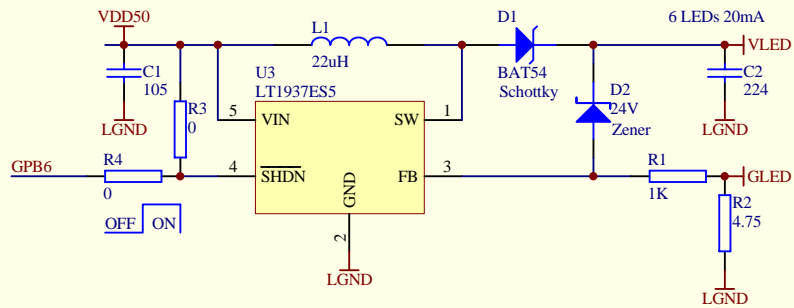
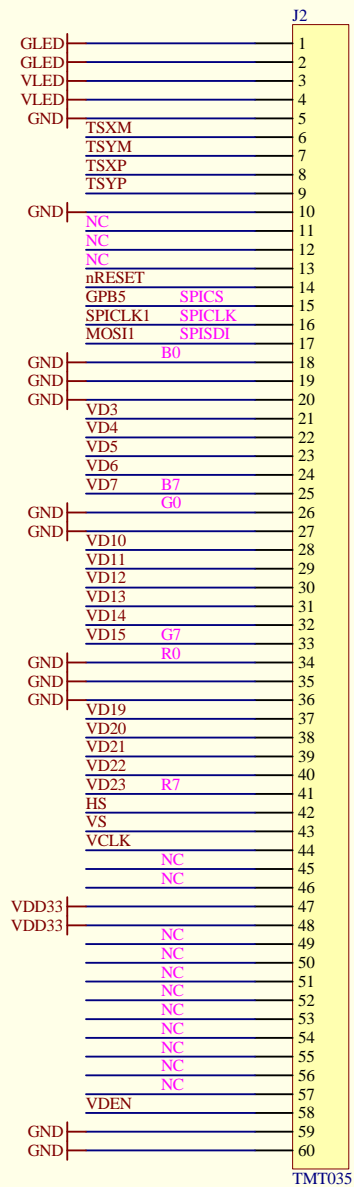
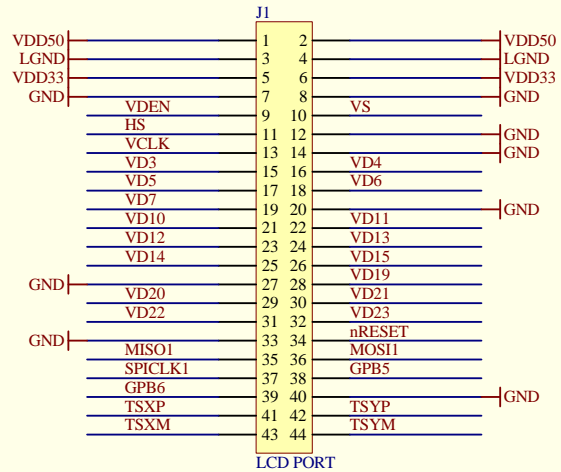


Title	2410-M DVK电路原理图		
No.	DM9000A	Sheet	3 of 5
Date	10-Dec-2008	Revision	1.0
File	03-DM9000A.Sch	Size	A3
Org.	北京博创兴业有限公司		
Addr	北京市海淀区知春路56号中航科技大厦4层 100098		

博创科技
 WWW.UP-TECH.COM
 Drawn By: UP Zhao



Title	2410-M DVK电路原理图			 WWW.UP-TECH.COM Drawn By: UP Zhao
No.	DEVICE	Sheet	4 of 5	
Date	10-Dec-2008	Revision	1.0	
File	04-Device.Sch	Size	A3	
Org.	北京博创兴业有限公司			
Addr	北京市海淀区知春路56号中航科技大厦4层 100098			



Title		
Size	Number	Revision
A4		
Date:	10-Dec-2008	Sheet of
File:	F:\认证开发板2410\2410-M dvk.ddb	Drawn By: